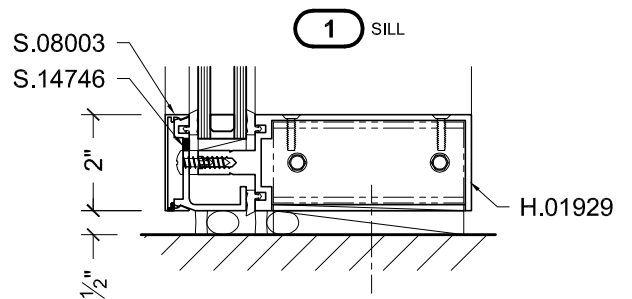
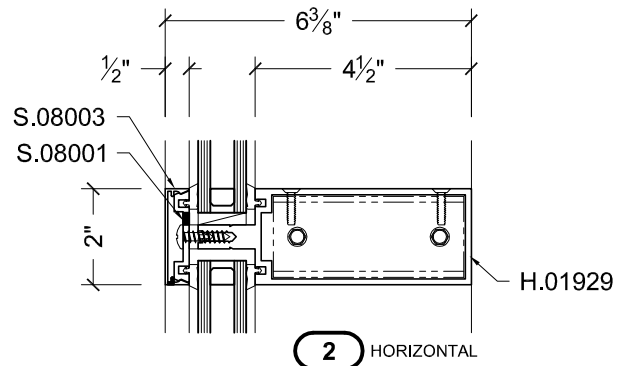
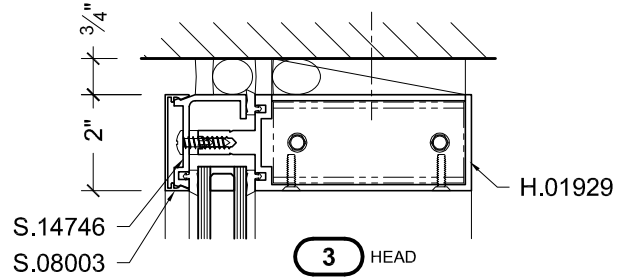
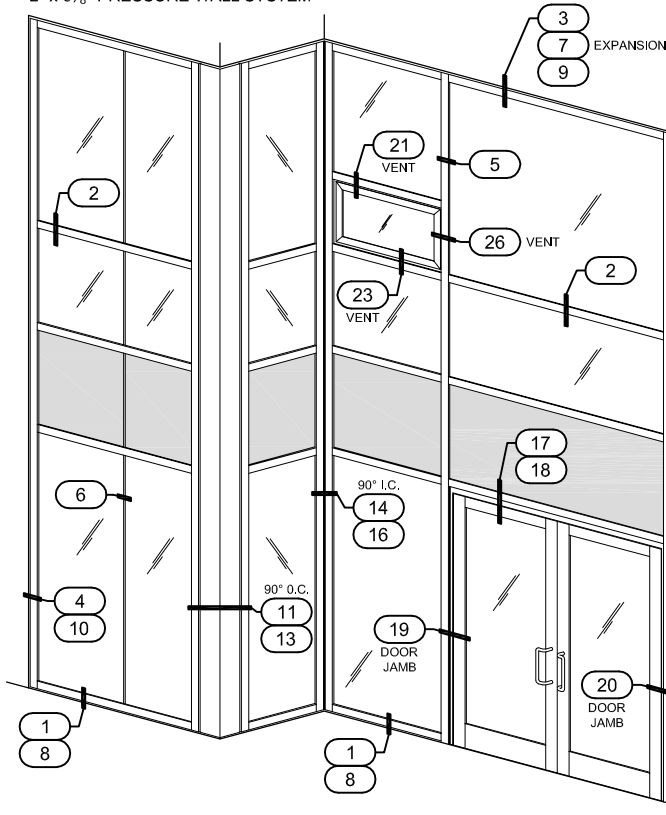


**ELEVATION**

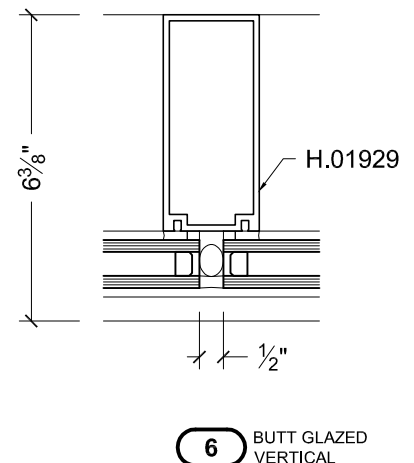
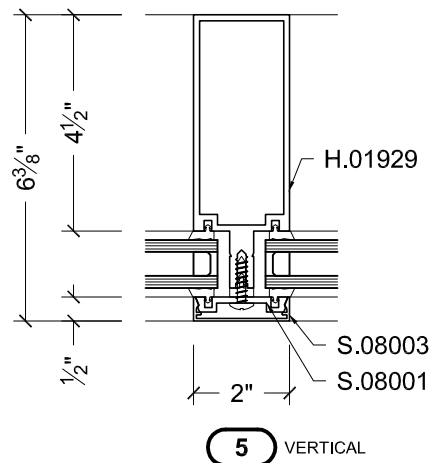
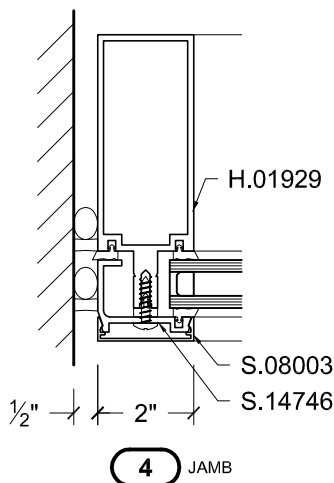
2" x 6 3/8" PRESSURE WALL SYSTEM



**STANDARD DETAILS**

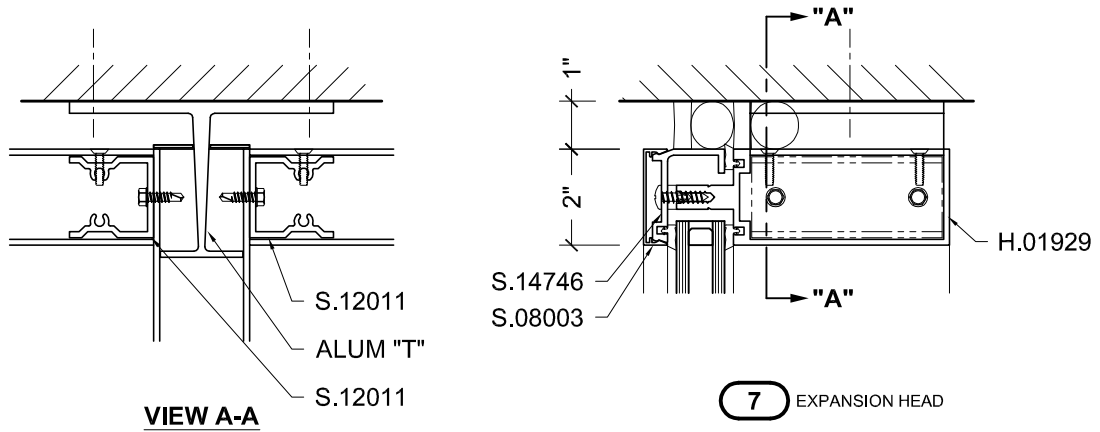
SCALE: 3" = 1'-0"

NOTE: 6 3/8" SYSTEM DEPTH IS A NOMINAL DIMENSION BASED ON THE USE OF A STANDARD 1/2" SNAP COVER. FOR OTHER CONFIGURATIONS SEE THE OPTIONAL SNAP COVERS IN THIS SECTION.



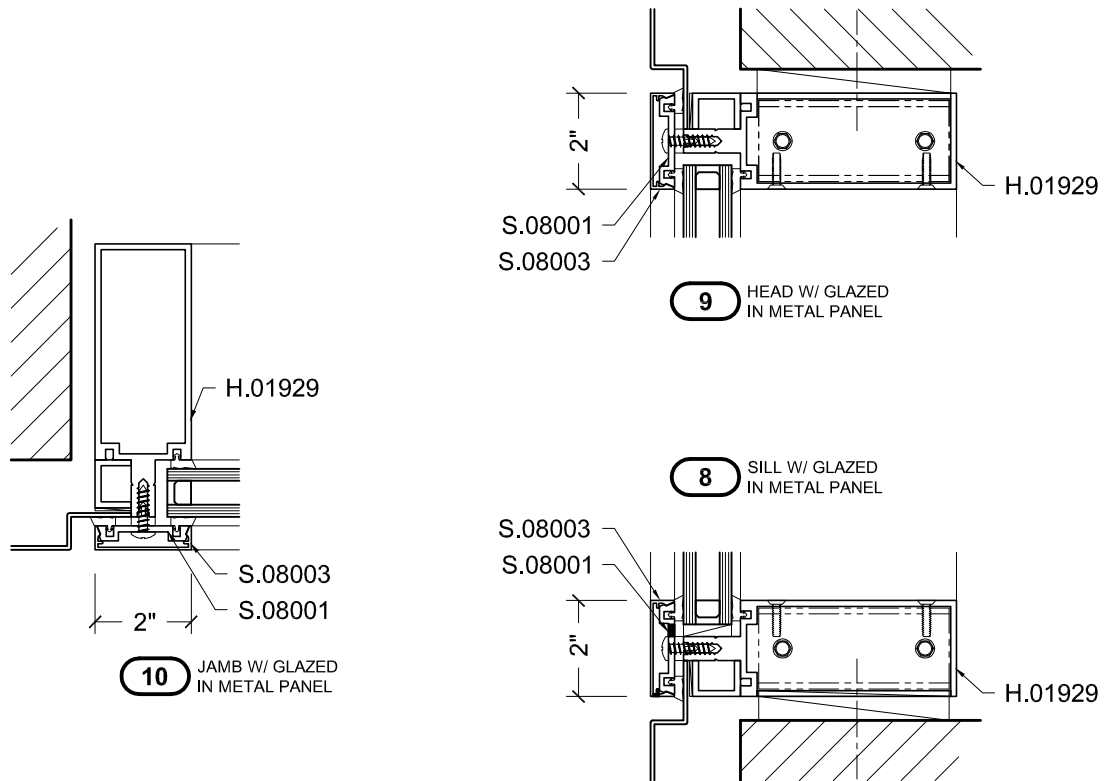
**HEAD EXPANSION DETAILS**

SCALE: 3" = 1'-0"



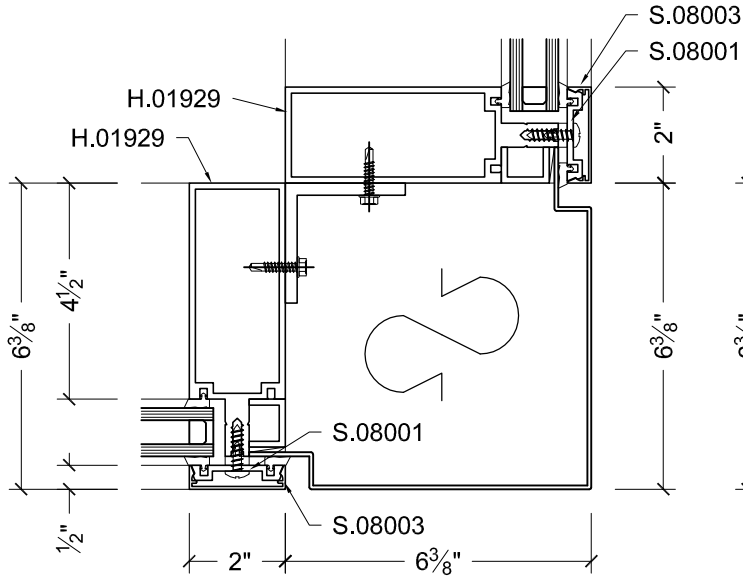
**GLAZED-IN PERIMETER PANEL DETAILS**

SCALE: 3" = 1'-0"

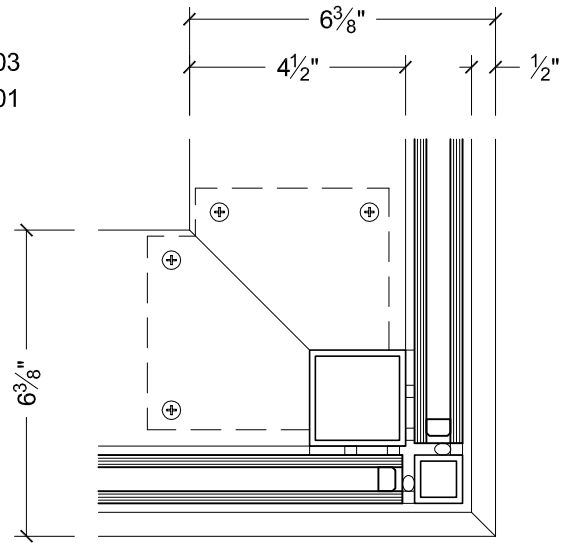


**90° OUTSIDE CORNER DETAILS**

SCALE: 3" = 1'-0"



**11** STANDARD OUTSIDE CORNER DETAIL

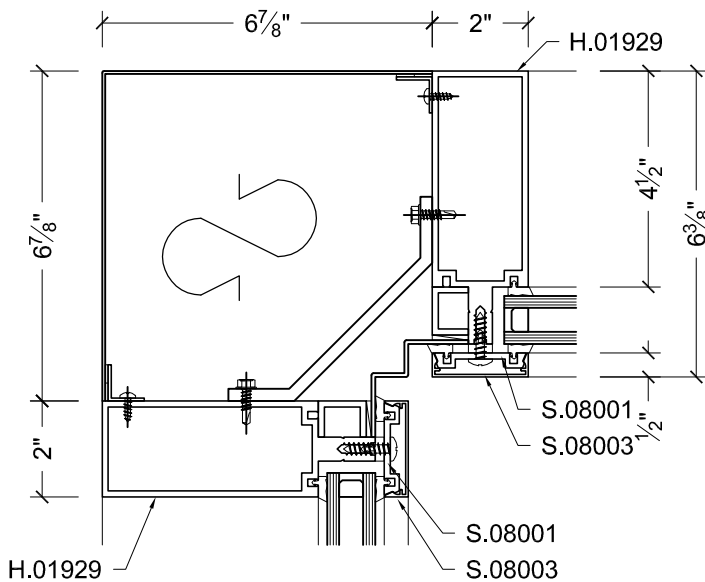


**13** OPTIONAL OUTSIDE CORNER DETAIL

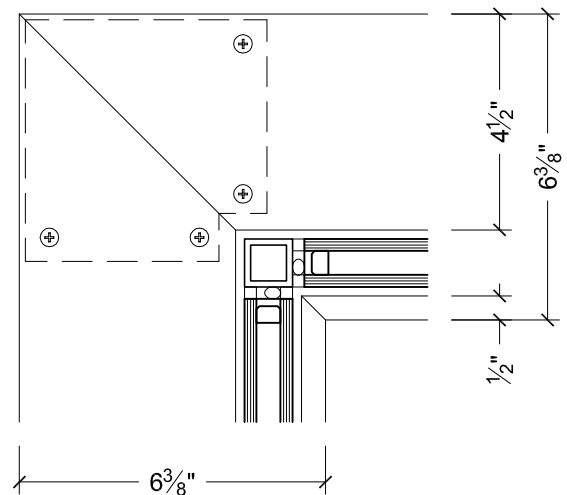
NOTE: THIS DETAIL NOT SUITABLE FOR ALL APPLICATIONS.

**90° INSIDE CORNER DETAILS**

SCALE: 3" = 1'-0"



**14** STANDARD INSIDE CORNER DETAIL

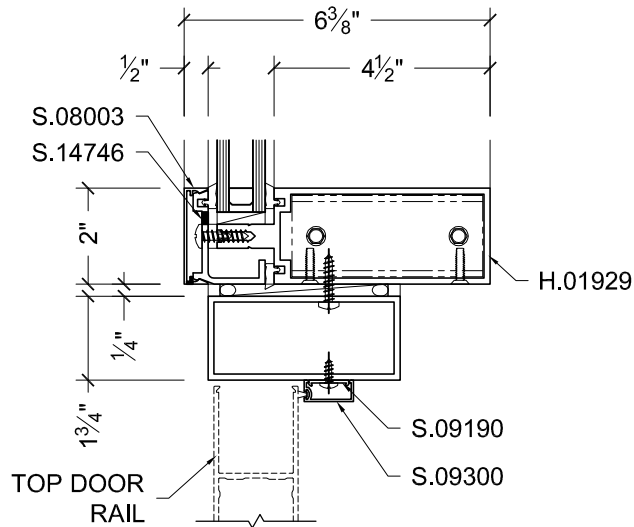


**16** OPTIONAL INSIDE CORNER DETAIL

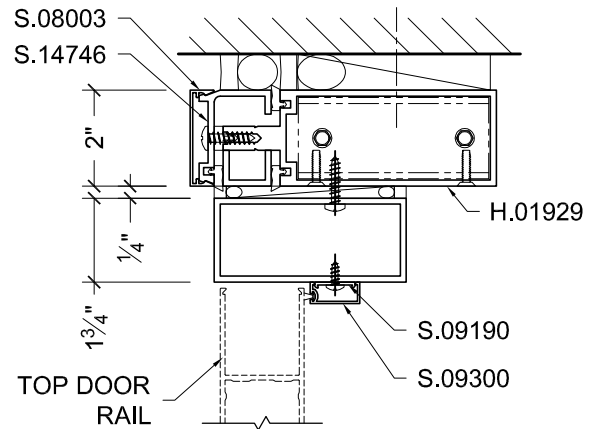
NOTE: THIS DETAIL NOT SUITABLE FOR ALL APPLICATIONS.

**DOOR PERIMETER DETAILS**

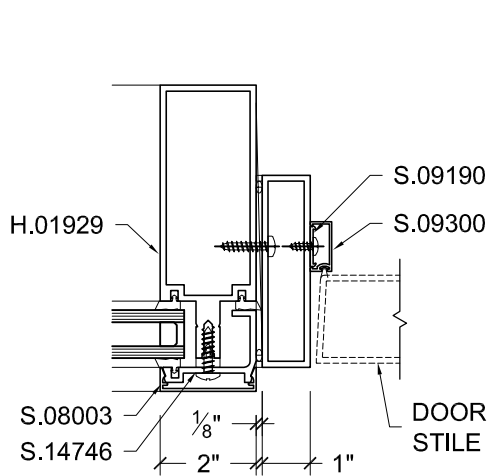
SCALE: 3" = 1'-0"



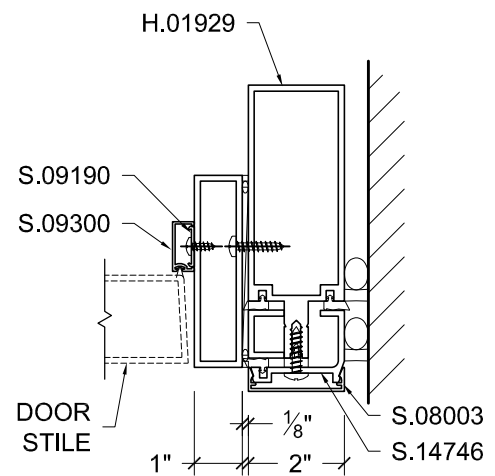
**17** DOOR HEADER



**18** DOOR HEADER NO TRANSOM



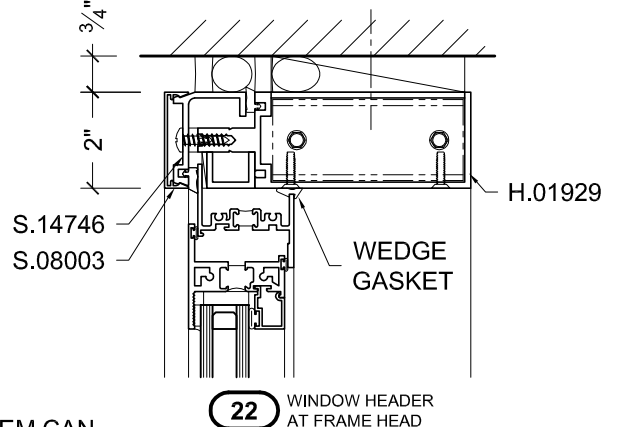
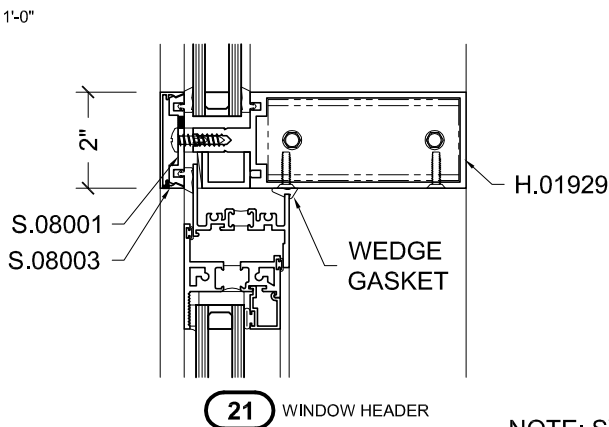
**19** DOOR JAMB



**20** DOOR JAMB AT FRAME JAMB

**GLAZED-IN VENT DETAILS**

SCALE: 3" = 1'-0"



NOTE: SYSTEM CAN ACCOMMODATE ANY EXTENDED LEG WINDOW.

