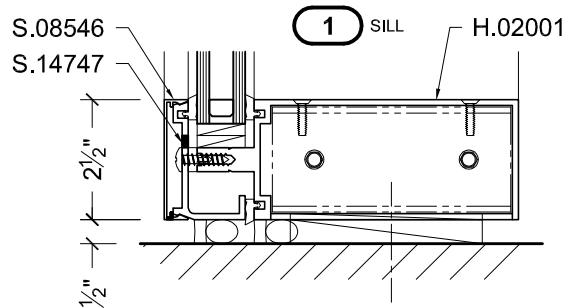
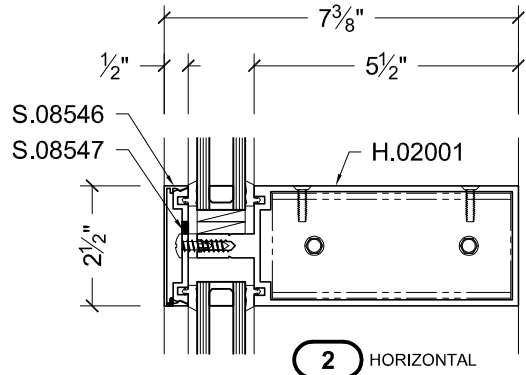
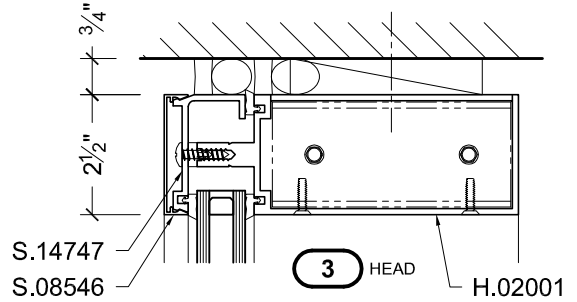
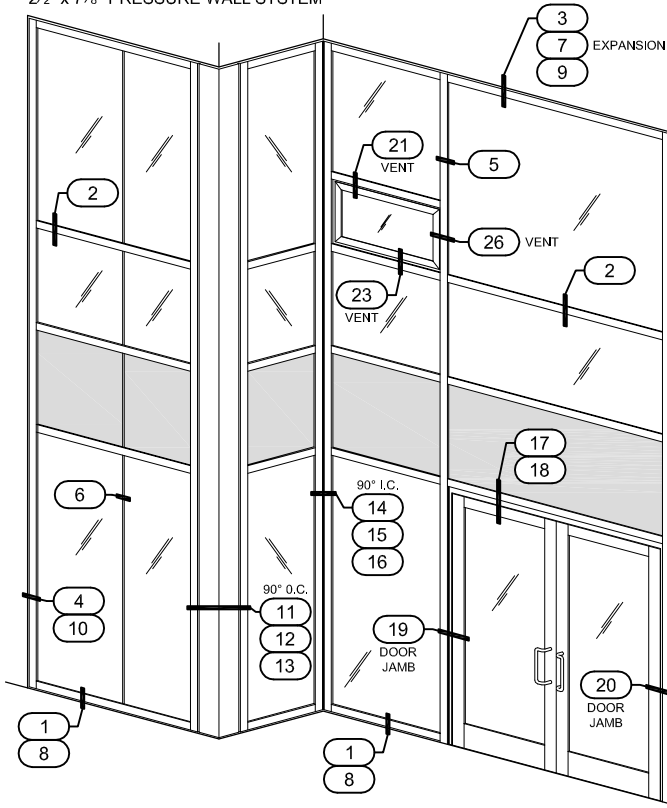


ELEVATION

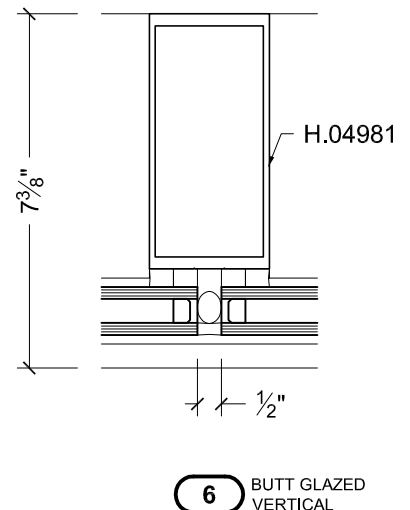
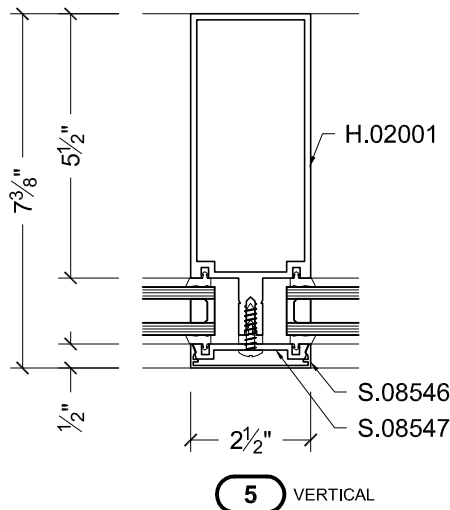
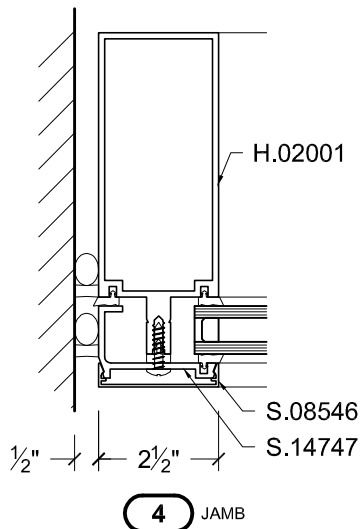
2 1/2" x 7 3/8" PRESSURE WALL SYSTEM



STANDARD DETAILS

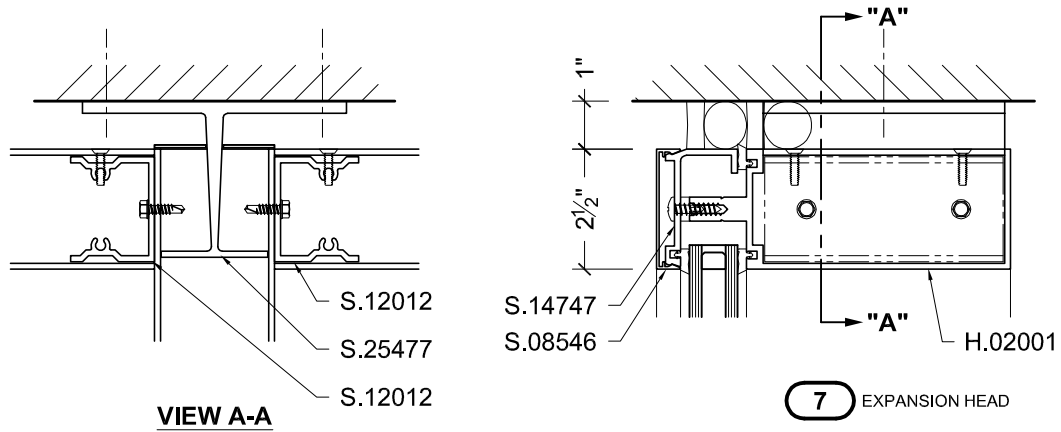
SCALE: 3" = 1'-0"

NOTE: 7 3/8" SYSTEM DEPTH IS A NOMINAL DIMENSION BASED ON THE USE OF A STANDARD 1/2" SNAP COVER. FOR OTHER CONFIGURATIONS SEE THE OPTIONAL SNAP COVERS IN THIS SECTION.



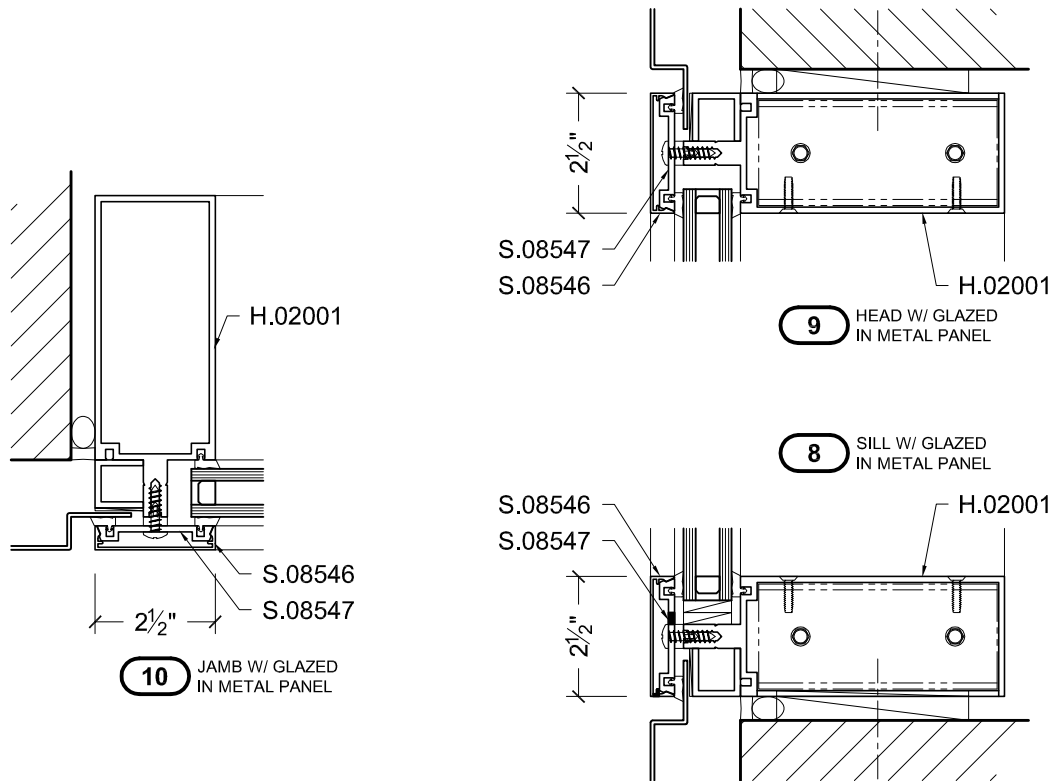
HEAD EXPANSION DETAILS

SCALE: 3" = 1'-0"



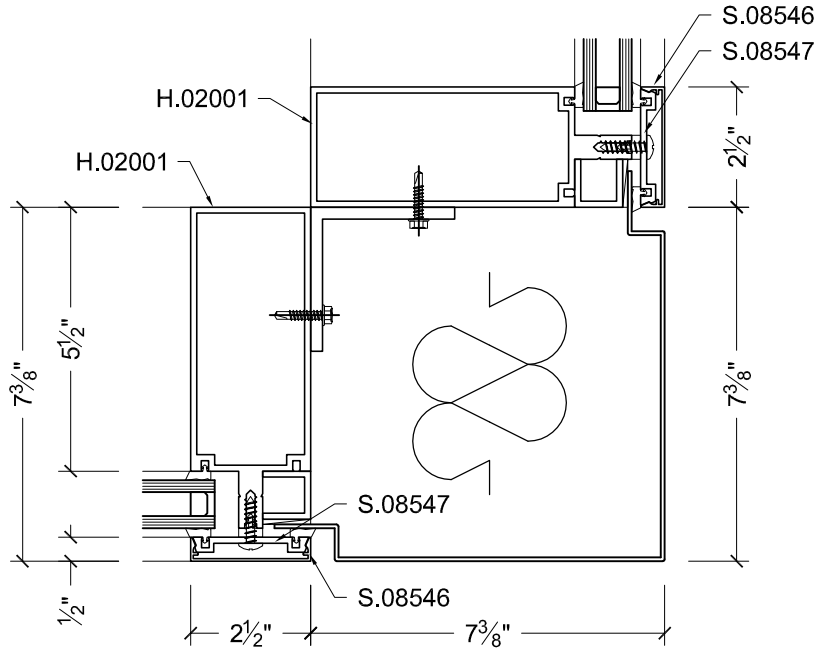
GLAZED-IN PERIMETER PANEL DETAILS

SCALE: 3" = 1'-0"

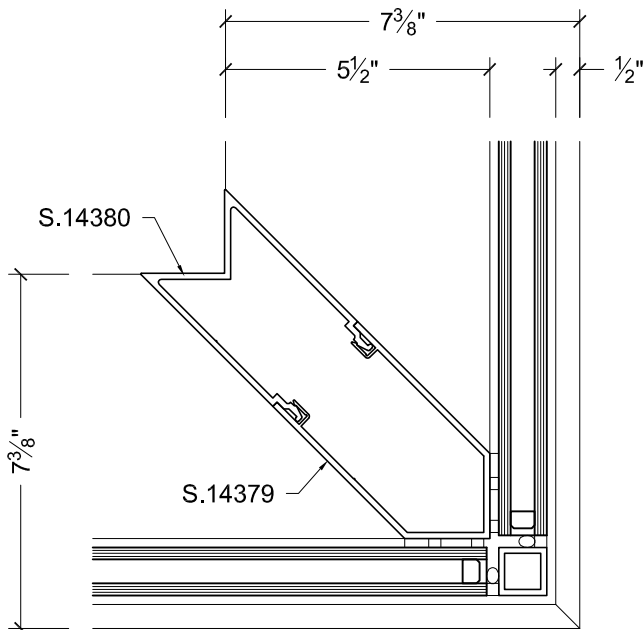


90° OUTSIDE CORNER DETAILS

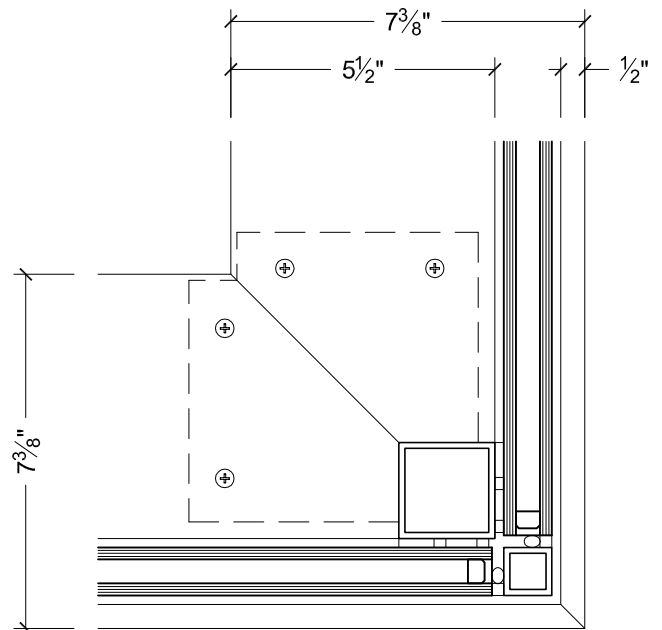
SCALE: 3" = 1'-0"



11 STANDARD OUTSIDE CORNER DETAIL



12 OPTIONAL OUTSIDE CORNER DETAIL

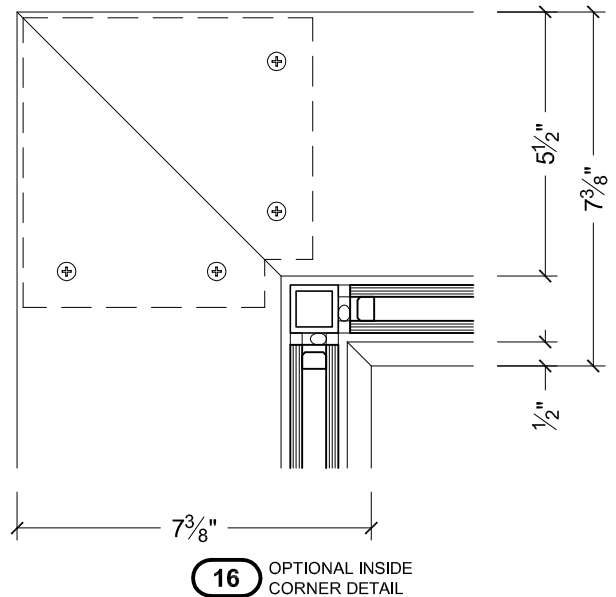
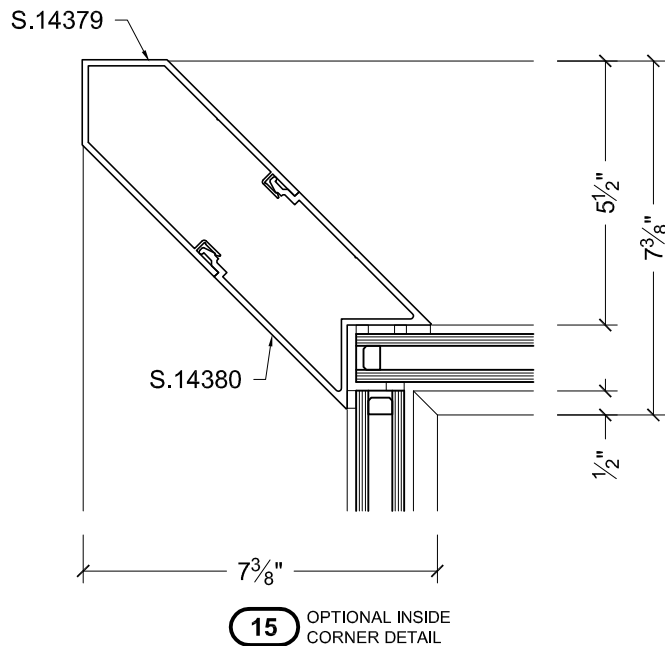
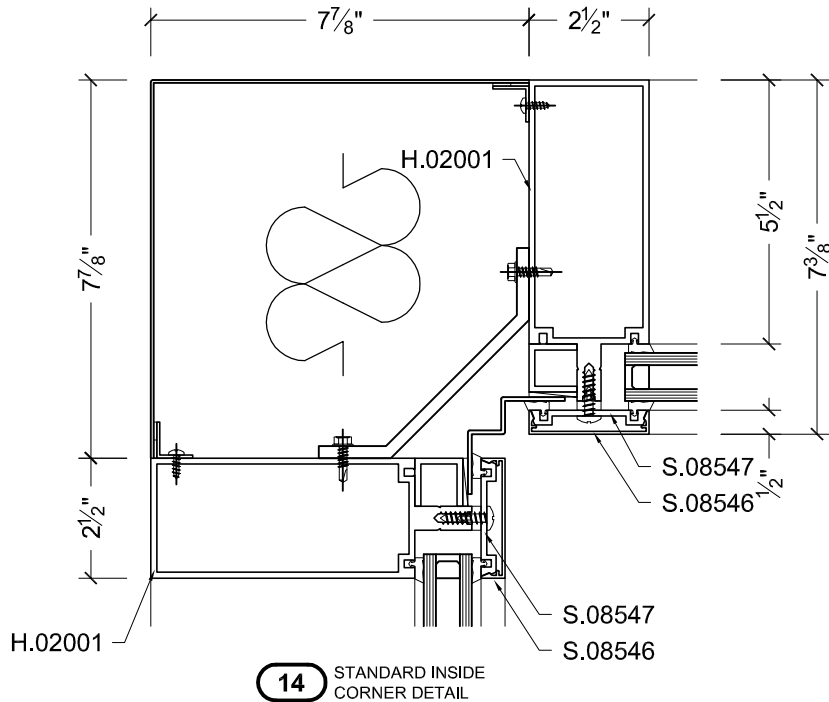


13 OPTIONAL OUTSIDE CORNER DETAIL

NOTE: THIS DETAIL NOT SUITABLE FOR ALL APPLICATIONS.

90° INSIDE CORNER DETAILS

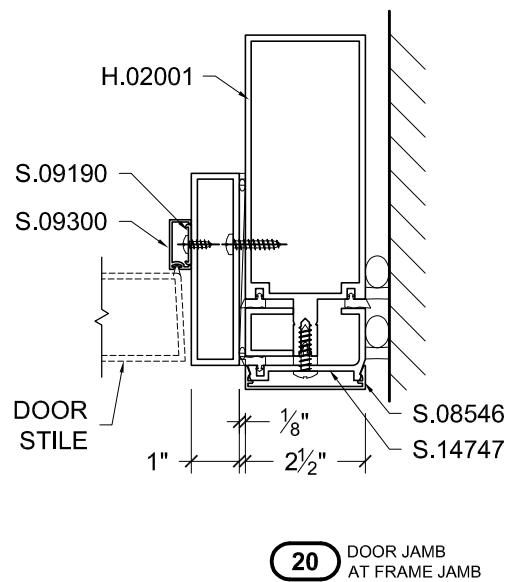
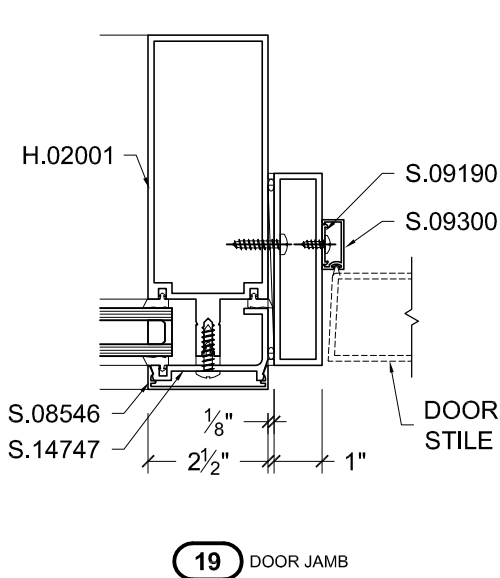
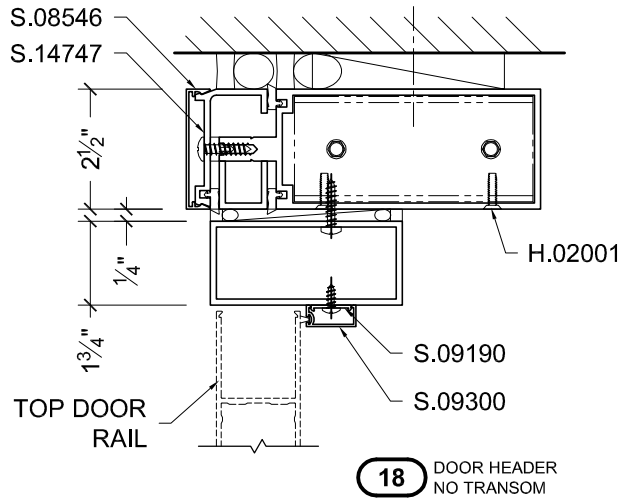
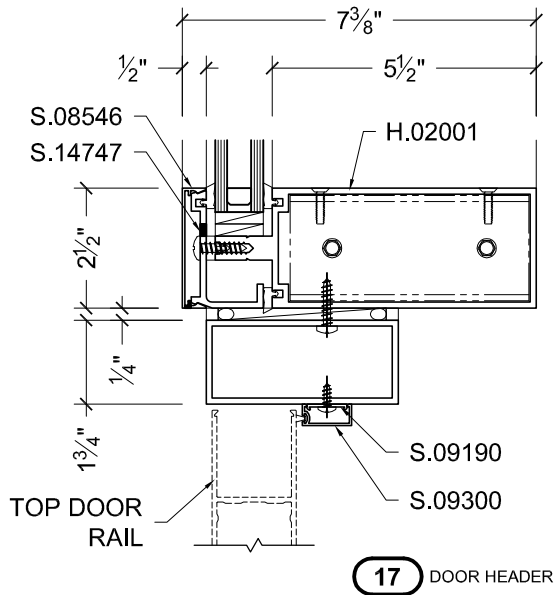
SCALE: 3" = 1'-0"



NOTE: THIS DETAIL NOT SUITABLE FOR ALL APPLICATIONS.

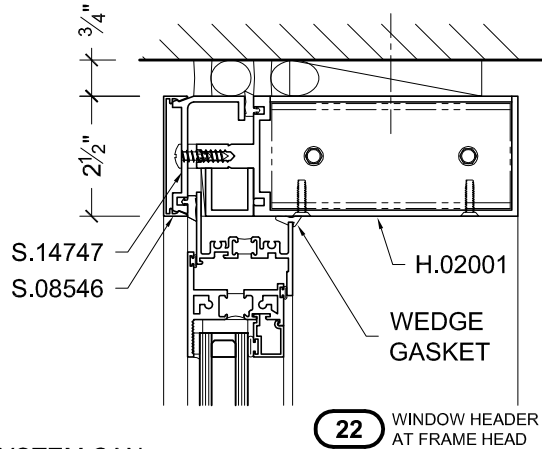
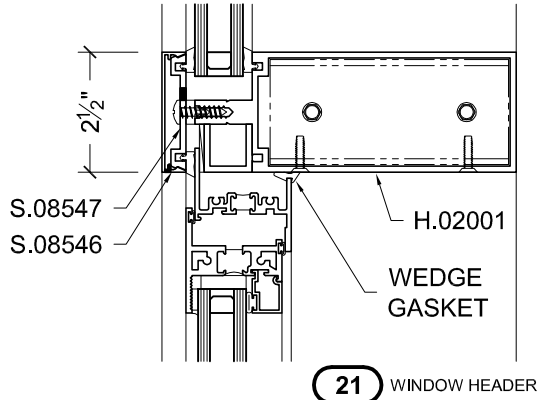
DOOR PERIMETER DETAILS

SCALE: 3" = 1'-0"



GLAZED-IN VENT DETAILS

SCALE: 3" = 1'-0"



NOTE: SYSTEM CAN ACCOMMODATE ANY EXTENDED LEG WINDOW.

