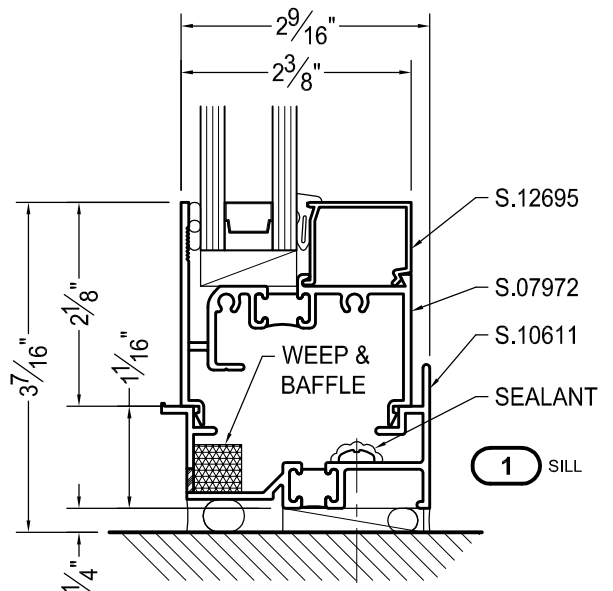
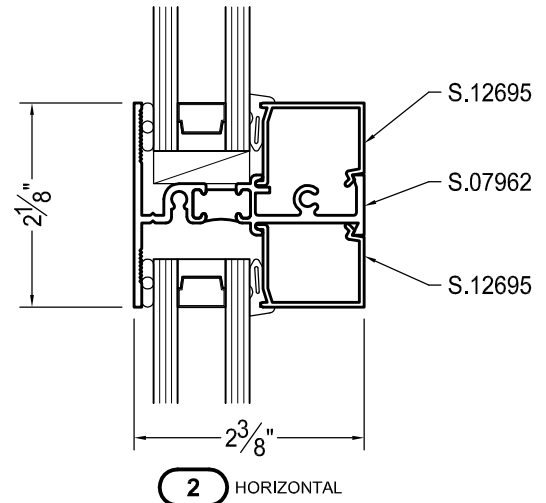
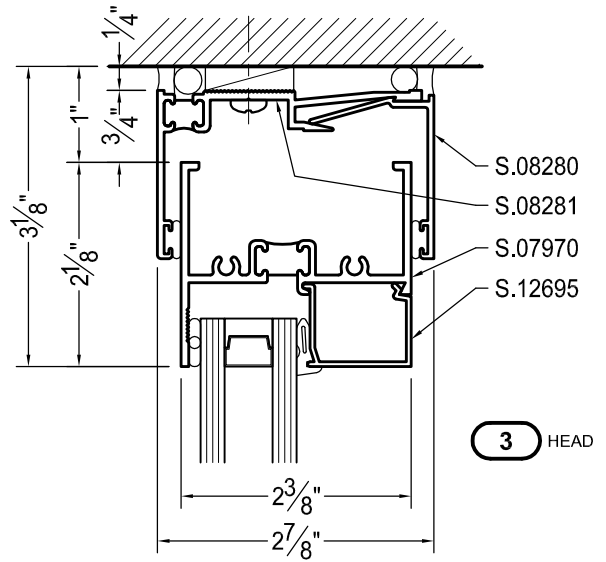
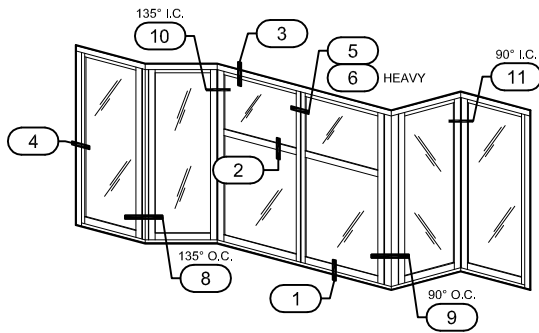


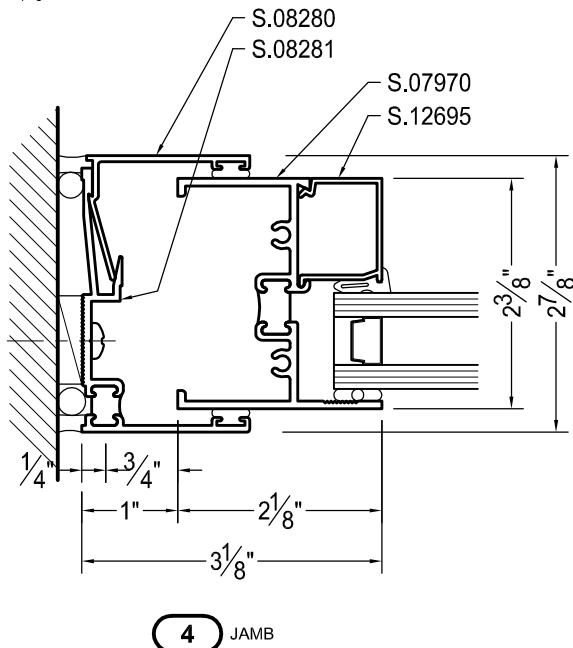
ELEVATION

RIBBON WINDOW SYSTEM



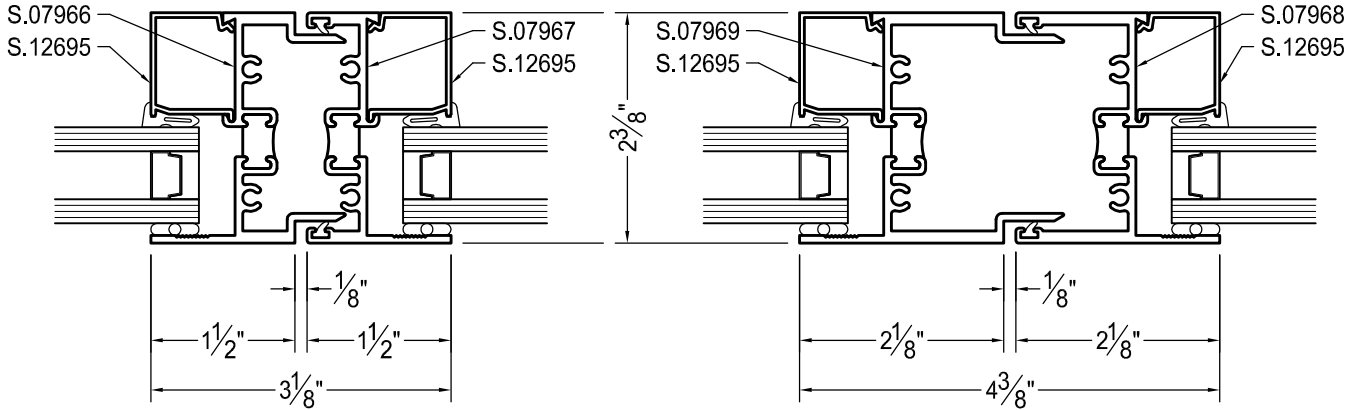
STANDARD DETAILS

SCALE: 6" = 1'-0"



VERTICAL MULLION DETAILS

SCALE: 6" = 1'-0"

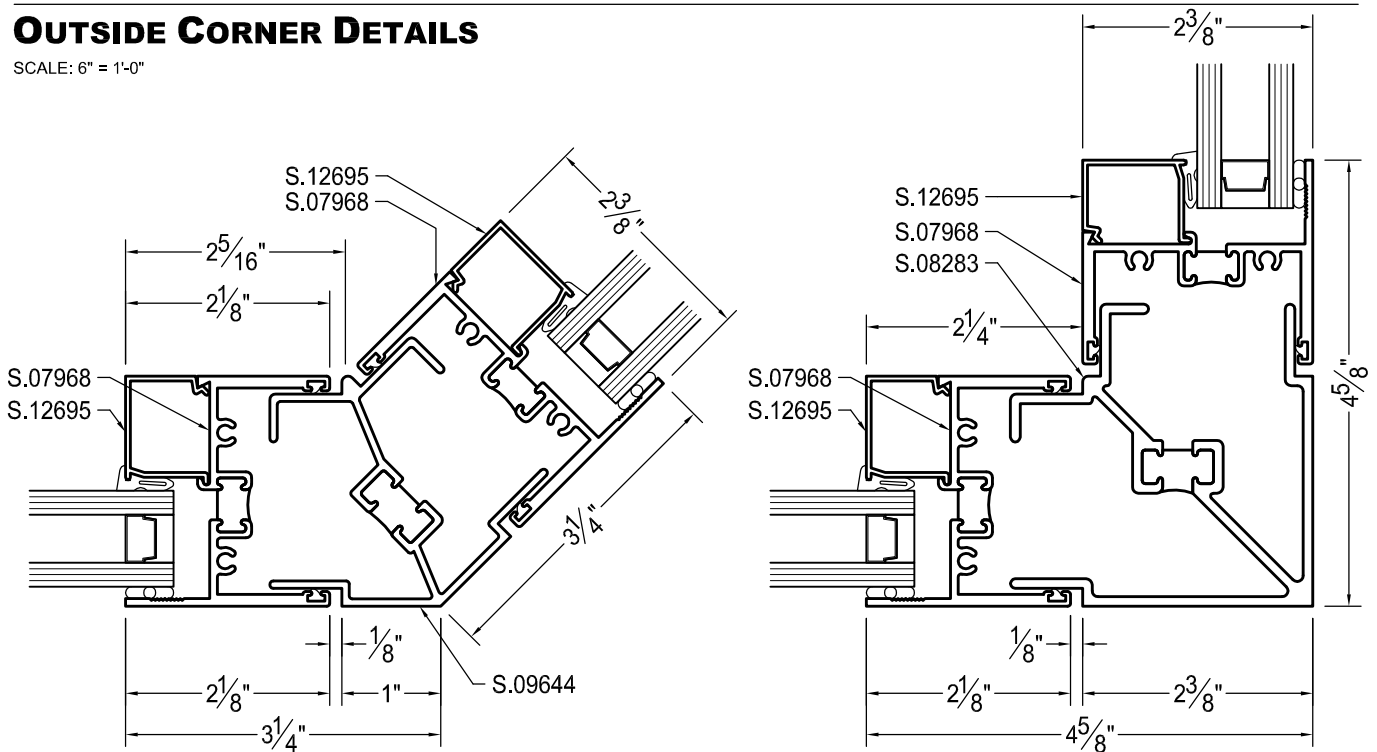


5 VERTICAL MULLION

6 HEAVY VERTICAL MULLION

OUTSIDE CORNER DETAILS

SCALE: 6" = 1'-0"

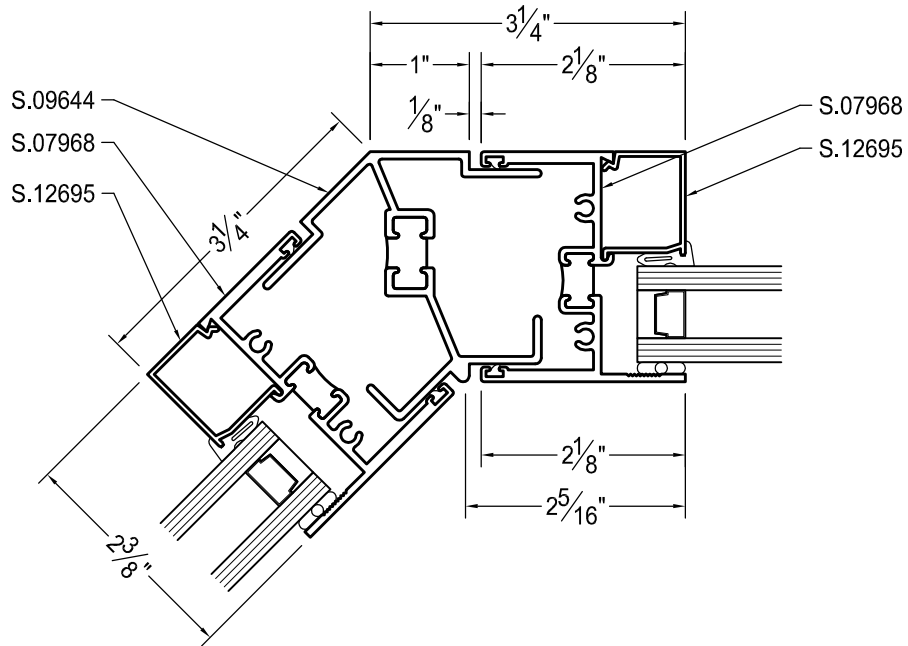


7 135° OUTSIDE CORNER

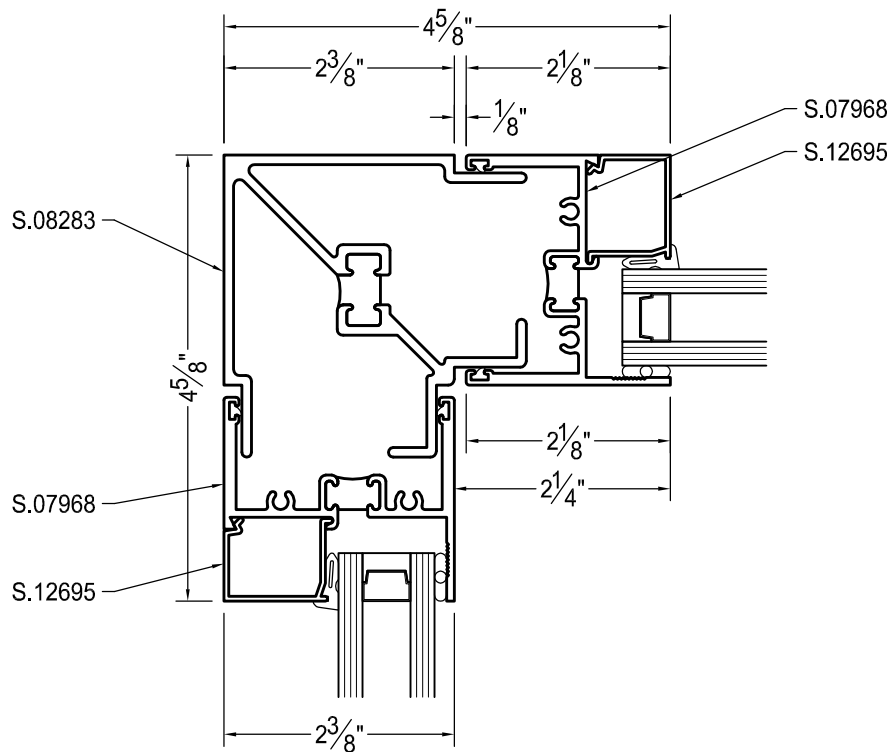
8 90° OUTSIDE CORNER

INSIDE CORNER DETAILS

SCALE: 6" = 1'-0"



9 135° INSIDE CORNER



10 90° INSIDE CORNER