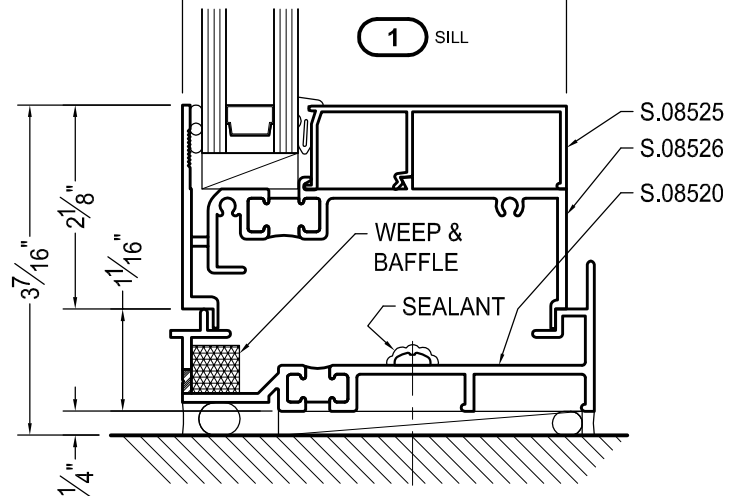
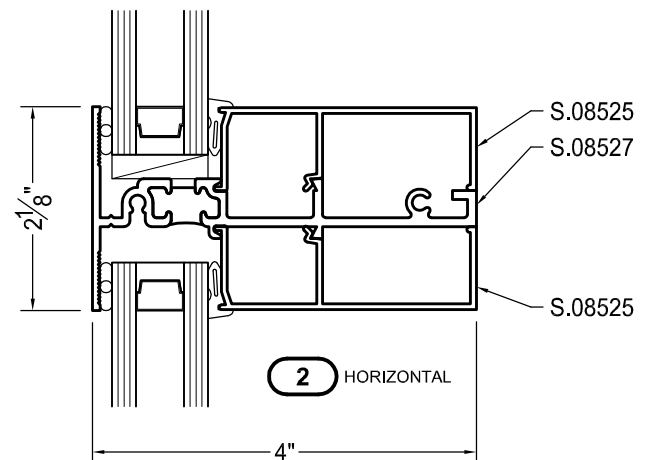
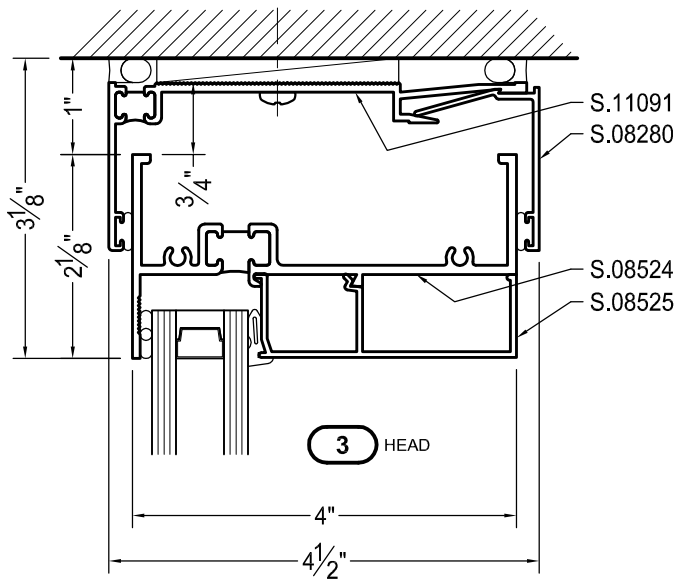
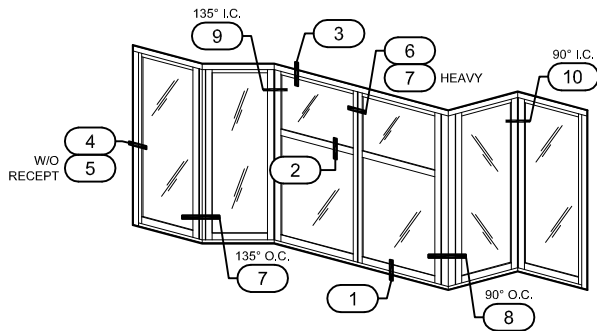


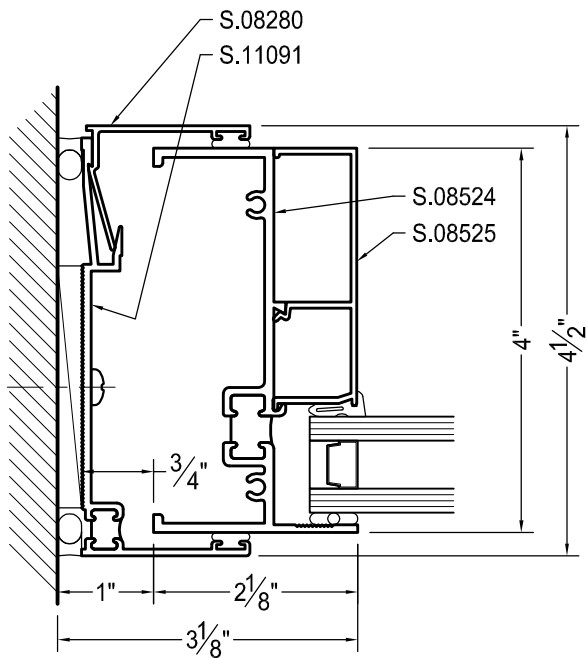
ELEVATION

RIBBON WINDOW SYSTEM



STANDARD DETAILS

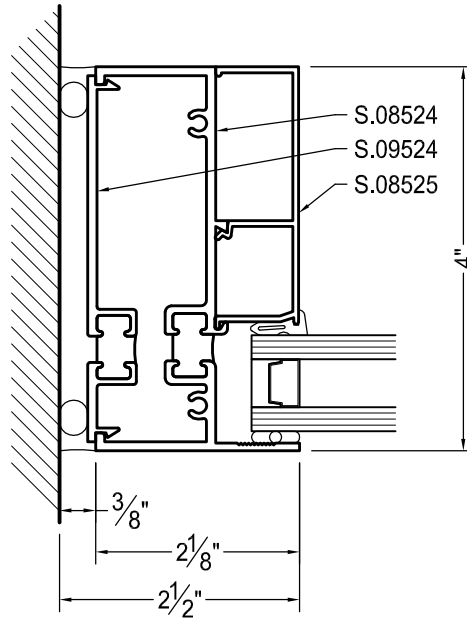
SCALE: 6" = 1'-0"



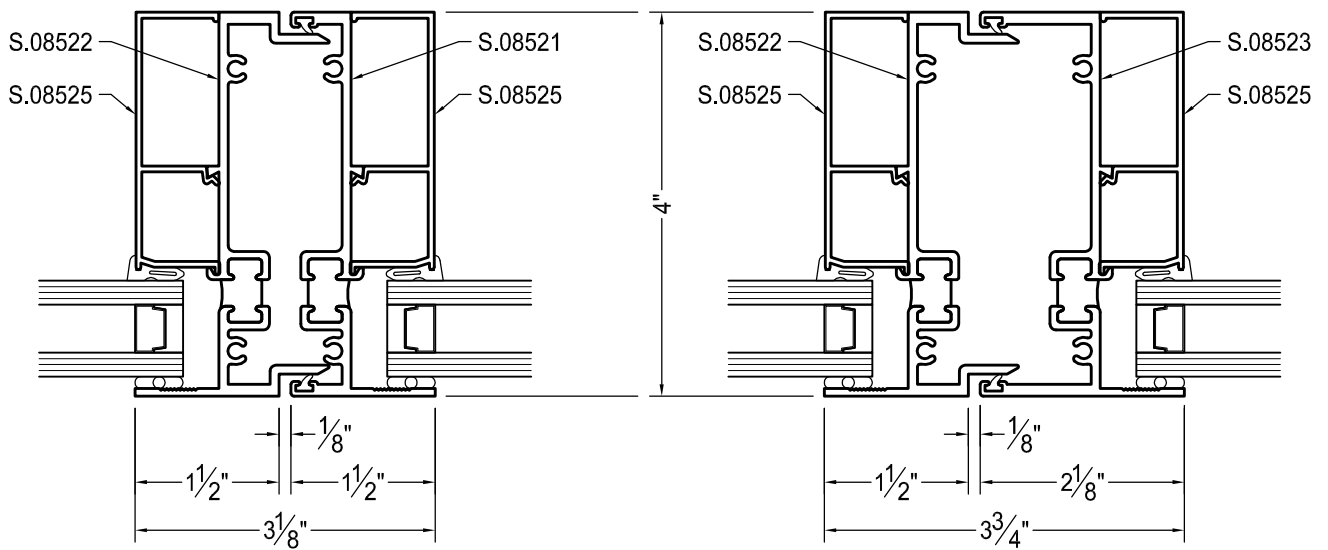
4 JAMB WITH RECEPTOR

VERTICAL MULLION DETAILS

SCALE: 6" = 1'-0"



5 JAMB
NO RECEPTOR

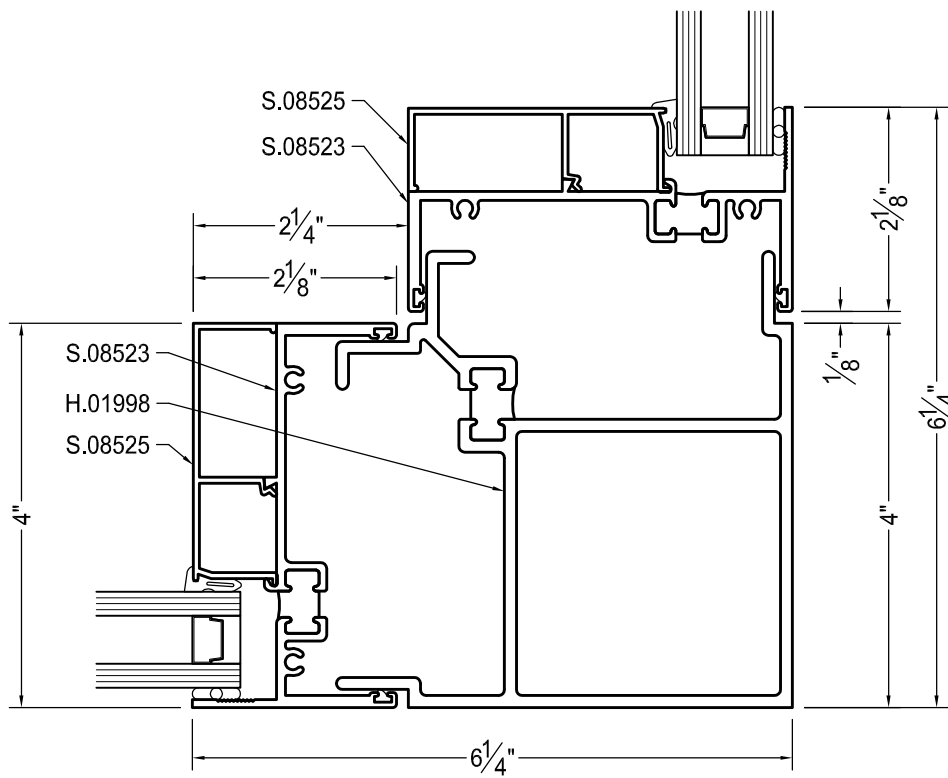
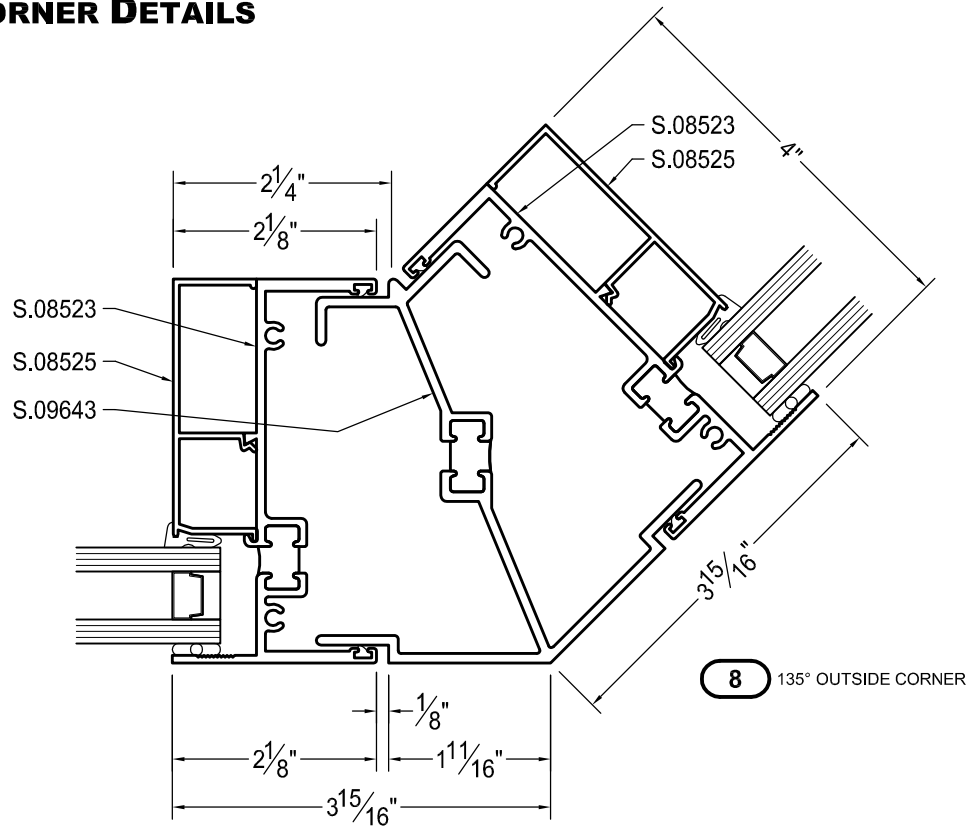


6 VERTICAL
MULLION

7 HEAVY VERTICAL
MULLION

OUTSIDE CORNER DETAILS

SCALE: 6" = 1'-0"



INSIDE CORNER DETAILS

SCALE: 6" = 1'-0"

